

Offer

Vito Tourer SELECT 121 extra long 4x2



This picture can differ from your individual vehicle configuration. It is therefore not binding and might be subject to change!

Angebotsnummer: Vito Tourer SELECT 121 extra long _Standard_75384

Fahrzeugtyp:	Vito Tourer SELECT 121 extra long	Modell:	Mercedes-Benz Vito Tourer
Antrieb:	4x2	Fahrzeugart:	
Zul. Gesamtgewicht:	3100 kg	Motorleistung:	155 kW
		Radstand:	3430 mm

JIPCO
Allam

Equipmentlist

Paint

MB 9197	obsidian black metallic
---------	-------------------------

Equipment

Lines, packages and variants

FP4	Chrome interior appointments package
IG5	Basic
Z42	Registration as a passenger car
ZQ9	Tourer SELECT

Chassis

*	Electrical steering
*	Front/rear disk brakes
*	Parking brake (foot pedal)
CF7	Comfort suspension
RD9	Tyres without name of make
RG7	Tyres 225/55 R17
RM7	Summer tyres
RK8	7 J x 17 light-alloy wheels, 20-spoke design
RR6	Spare wheel with jack
RY2	Tyre pressure monitoring front/rear, wireless
XA8	Weight variant 3.100 kg

Engines and transmissions

MM1	Engine M274 DEH 20 LA 155 kW (211 hp) 5500 rpm
MB4	Emissions category Euro 5b+ M/N1 GR.II
MG9	Alternatormanagement
G42	7G-TRONIC PLUS
KB5	Main tank 70 litres

Bodies and attachments

F68	Exterior mirror heated and electr. adjustable
F61	Rear mirror inside
*	Light range regulator
LG2	LED Intelligent Light System
*	Third stop lamp
LG4	LED tail lamps, brake lamps and indicators
LC4	Comfort overhead control panel
LP2	Interior and ambient lighting, crewbus
LB9	Exit lamps
LC6	Illumin. in rear grab handle with reading light

LC7	Lighting for footwell, front
LC8	Ambient lighting, liftgate
LE1	Adaptive brake light
T14	Active retainer for sliding door
*	Sliding door right
T70	Child safety locks in passenger compartment doors
W65	Tailgate
T55	Electrical operation of sliding door, right
T74	Handle for entrance
T75	Grab handles for driver's and co-driver's doors
W16	Window front left, fixed, in sidewall/sliding door
W17	Window front right, fixed, in sidew./sliding door
W29	Window fixed behind
*	front comfort electric window lift
W78	Window in tailgate/rear door with wipe/wash system
FS5	Illuminated vanity mirrors for sun visors
H20	Heat-insulating glass all round
CM2	Bumpers/detachable body parts painted body colour
*	Trawling eyelet to screw on front/rear
FK2	Chromed radiator grille

Interior equipment, heating and air-conditioning

*	Seat belt warning for driver's seat
SB1	Comfort driver's seat
SB2	Comfort co-driver's seat
U3V	Seat anch., face-to-face, 1st rear seat row, rails
US1	Seats pass. compartm. 2seat bench 1 st row
comfor	
US5	3-seater comfort bench 2nd row w. folding outer
U73	Armrests for passenger compartment seats
UR1	Seat rail system with quick-locking
*	Airbag, front driver's seat
SA6	Airbag, co-driver
SH1	Thorax-pelvis sidebag, driver
SH2	Thorax-pelvis sidebag, co-driver
SH9	Windowbags for driver and co-driver
J55	Seat belt reminder for co-driver seat
F66	Locking glove compartment
*	Two cup holder
FG9	2 detachable cup holders, in rear armrests
FJ3	Double cup holder, centrally located in cockpit
VZ0	Anchoring lugs for seat rails, removable
V23	Interior panelling higher execution
V36	Panelling under roof
V44	Carpet in interior at front
V33	Carpet in the rear
V85	Smoker package
VH1	Grab handles in rear
VL2	Velour floor mats

Y44	Warning triangle
H00	Hot-air duct to passenger compartment
H09	Air conditioning system with increased capacity
HH4	THERMOTRONIC automatic climate control
HZ7	Air con., semi-autom., TEMPMATIC in rear

Radio, instruments and electrics

EL9	2-way loudspeakers, front and rear
EN7	Audio 15
ED4	heavy-duty battery
EZ7	Active Parking Assist
ML4	Alternator 14 V / 190 A
*	Socket, 12 V
*	Engine speed indicator electronical
JK3	Instrument cluster with pixel-matrix display
J59	Warning system for speed limit
J64	Maintenance indicator for dry-air filter
JA1	Cleaning fluid level warning light
CL1	Height and rake adjustable steering wheel
CL4	Multifunction steering wheel with trip computer
*	Temperature indicator
*	Crosswind Assist
JF1	Rain sensor
JW8	ATTENTION ASSIST
JX1	Service interval 25.000 km
LA2	Headlight assistant
FY7	Multi-button radio remote control
FZ8	Convenience opening and closing w. IR remote ctrl.
*	Immobilizer
E07	Hill-Start Assist
FR8	Reversing camera
MS1	Cruise control

Other equipment

Z18	Country version, GCC states
X53	Labels / publications, Arabic
XC8	VIN visible from outside
XQ1	VIN encoded vehicle data with check digit
Z44	Registration of vehicle not possible in EU
YF7	Fire extinguisher 1 kg
XY0	Model year 0
XZ0	Model generation 0

Upholstery

VU9	Black leatherette
-----	-------------------

Technical data

Dimensions and weights

Type	
Execution	
Drivetrain	4x2
Wheelbase	3430 mm

Weights	
Front axle (empty)	1280 kg
Rear axle (empty)	1027 kg
kerb weight (incl. SA)	2307 kg
Payload	793 kg
Gross vehicle weight	3100 kg
Gross combination weight	5100 kg

Engine	MM1
Displacement cm ³	1991
Engine output kW / HP	155 / 211
Power/engine torque in NM at 5500 rpm	350

Tyres	
1st Axle:	2x RG7
2nd Axle:	2x RG7

Body length	
With max. frame overhang	0 mm
Min. centre of gravity – last axle	
Max. centre of gravity – last axle	

Gearbox	
Code	G42
Short text	7G-TRONIC PLUS

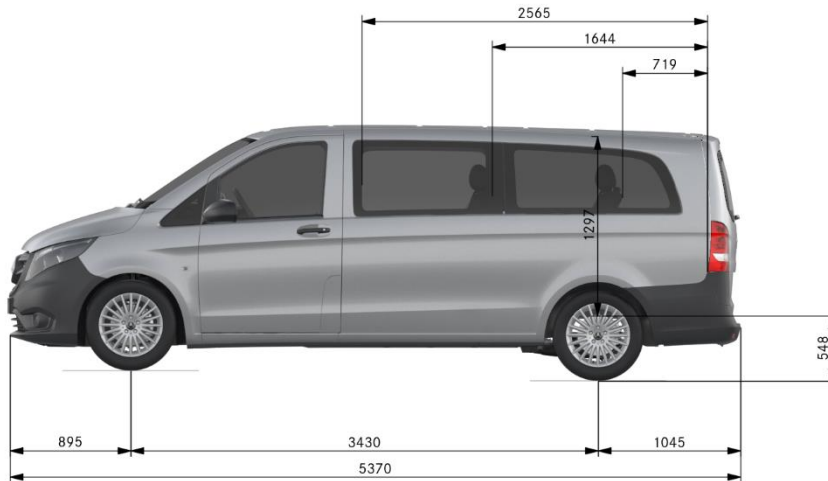
Dimensions	
Frame height – FA – laden	
Frame height – FA – unladen	
Frame height – RA – laden	
Frame height – RA – unladen	

Kerb weights with driver, Tools, Underride protection (front/rear), spare wheel, 90% of tankful

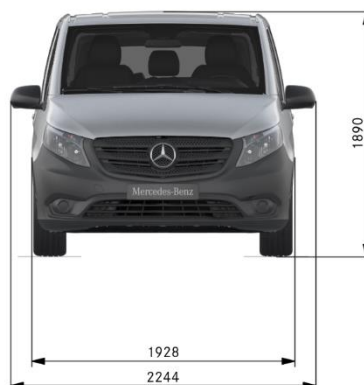
Technical Data

Technical illustration

Picture side view



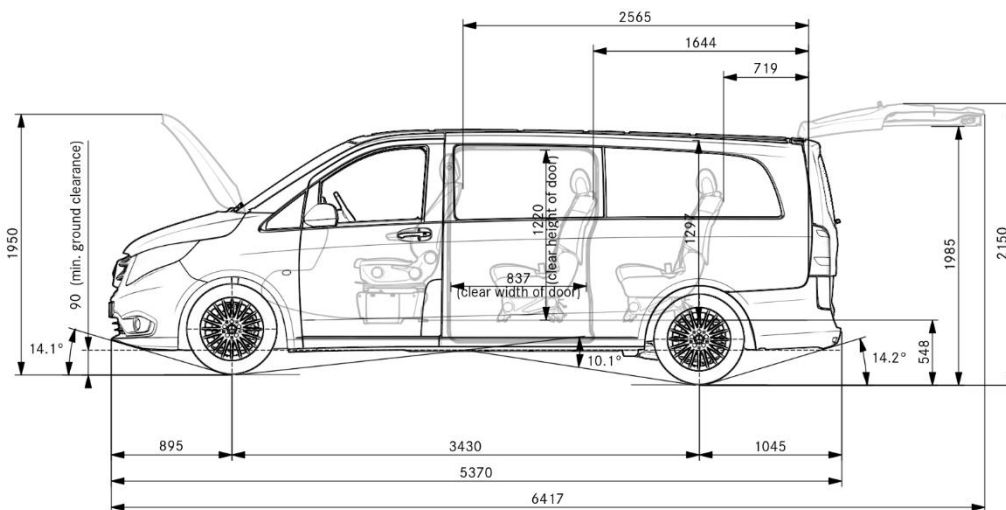
Picture front / back view



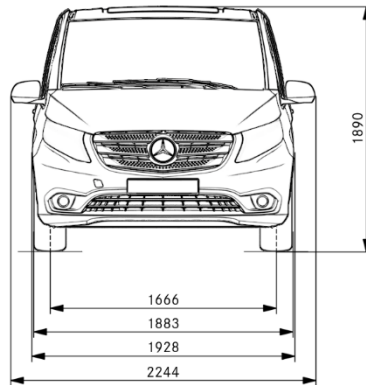
Picture top view



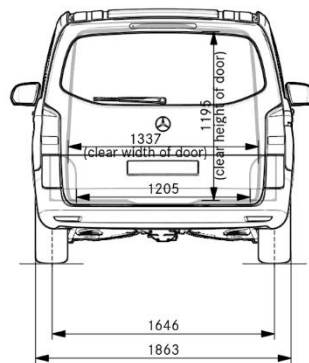
Drawing side view



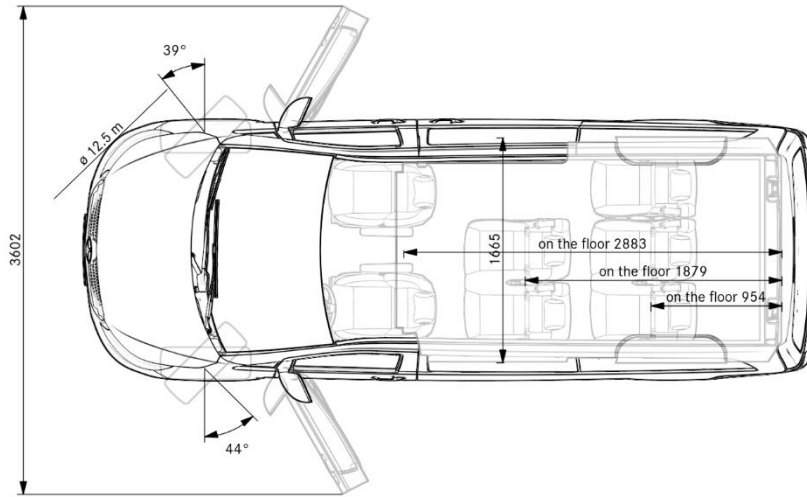
Drawing front view



Drawing back view



Drawing top view



Offer picture interior view



Offer picture front view



Offer picture back view

