

Offer

Sprinter Panel van 311 CDI standard RWD



This picture can differ from your individual vehicle configuration. It is therefore not binding and might be subject to change!

Angebotsnummer: 311 KA High Roof - Ordered_Standard_06100

Fahrzeugtyp: Sprinter Panel van 311
CDI standard

Antrieb: RWD Hinterradantrieb

Zul. Gesamtgewicht: 3550 kg

Modell: Mercedes-Benz Sprinter

Fahrzeugart:

Motorleistung: 84 kW

Radstand: 3665 mm



Equipmentlist

Paint

MB 9147	arctic white
---------	--------------

Equipment

Lines, packages and variants

IG4	Standard
IG5	Basic

Chassis

AR3	Axle ratio i = 4,182
RD9	Tyres without name of make
RH2	Tyres 235/65 R16 C
RM7	Summer tyres
RS3	Steel wheels 6.5 J x 16
R65	Spare wheel bracket below frame end
R87	Spare wheel
RY2	Tyre pressure monitoring front/rear, wireless
XG4	Weight variant 3.550 kg

Engines and transmissions

MI1	OM 651 DE 22 LA engine 84 kW (114 hp) at 3800 rpm
MP5	Engine version Euro V
GD8	ECO Gear 360 6-speed manual transmission
K13	Main tank 71 litres
K56	Filler cap, diesel, in red
KL5	Fuel filter with water separator

Bodies and attachments

D03	High roof
D50	Full-length partition
Q11	Longitudinal member reinforcement
LB1	Side marker lights
LB5	3rd brake light
LE1	Adaptive brake light
T16	Sliding door right
W54	Rear doors, double-wing, opening to side wall
T77	Grab handle, at load comp. sliding door on partition
Q67	Towing eye rear
W73	Rear door step
CW2	Deletion, vehicle lowering

Interior equipment, heating and air-conditioning

S02	Driver's seat
S04	Adjustable co-driver's seat
S22	Armrest for driver's seat
S25	Armrest for co-driver's seat
SA5	Airbag, front driver's seat
SA6	Airbag, co-driver
J55	Seat belt reminder for co-driver seat
FF5	Shelf above windscreen
FG8	Cup holders front
FJ4	Stowage compartment underneath cockpit
Y44	Warning triangle
HH9	Air con., semi-autom. controlled, TEMPMATIC

Radio, instruments and electrics

ER0	Basic fittings f. radio
ED1	AGM battery, 12 V 70 Ah
ES0	Starting aid contact
M49	Alternator 14 V / 180 A
EK1	Terminal strip for electrical connection
J58	Seat belt warning for driver's seat
J59	Warning system for speed limit
J10	Speedometer, km/h
C6L	Multifunction steering wheel
E3J	Preinstallation for switch panel
J65	Temperature indicator
JA8	Crosswind Assist
JK5	Instrument cluster with colour display
LA2	Headlight assistant
M94	Vehicle without road speed limiter EG

Other equipment

Z18	Country version, GCC states
Z4V	Production in Düsseldorf
X01	Model plate/label, Gulf States
X53	Labels / publications, Arabic
XC8	VIN visible from outside
XQ1	VIN encoded vehicle data with check digit
Z2N	Qualification N2
Z44	Registration of vehicle not possible in EU
Y43	Hydraulic Jack
Y16	Fire extinguisher
XY0	Model year 0
XZ0	Model generation 0

Upholstery

VF7	Fabric Maturin black
-----	----------------------

Technical data

Dimensions and weights

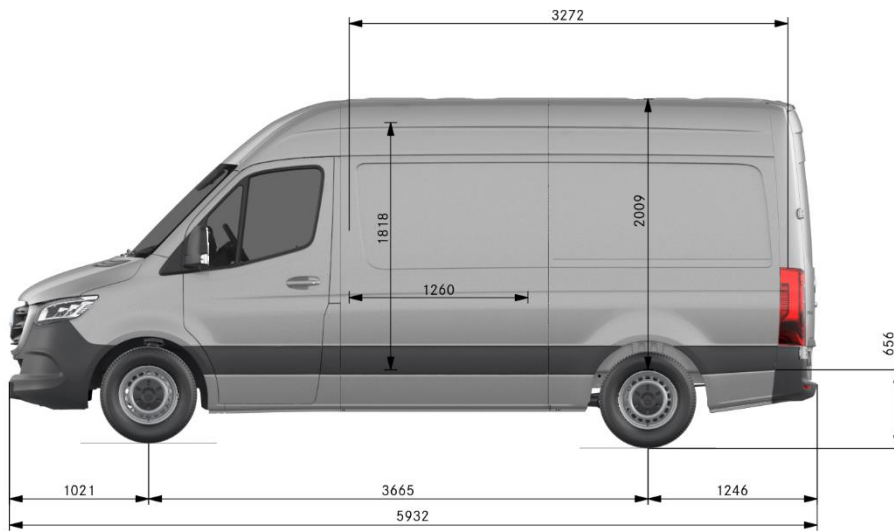
Type		Body length	
Execution		With max. frame overhang	0 mm
Drivetrain	RWD	Min. centre of gravity – last axle	
Wheelbase	3665 mm	Max. centre of gravity – last axle	
Weights		Gearbox	
Front axle (empty)	1283 kg	Code	GD8
			ECO Gear
			360 6-
			speed
			manual
			transmissi
			on
Rear axle (empty)	907 kg	Short text	
kerb weight (incl. SA)	2190 kg		
Payload	1360 kg	Dimensions	
Gross vehicle weight	3550 kg	Frame height – FA – laden	
Gross combination weight	5550 kg	Frame height – FA – unladen	
		Frame height – RA –laden	
		Frame height – RA – unladen	
Engine		MI1	
Displacement cm ³	2143		
Engine output kW / HP	84 / 114		
Power/engine torque in NM at 3800 rpm	300		
Tyres			
1st Axle:	2x		
2nd Axle:	2x		

Kerb weights with driver, Tools, Underride protection (front/rear), spare wheel, 90% of tankful

Technical Data

Technical illustration

Picture side view



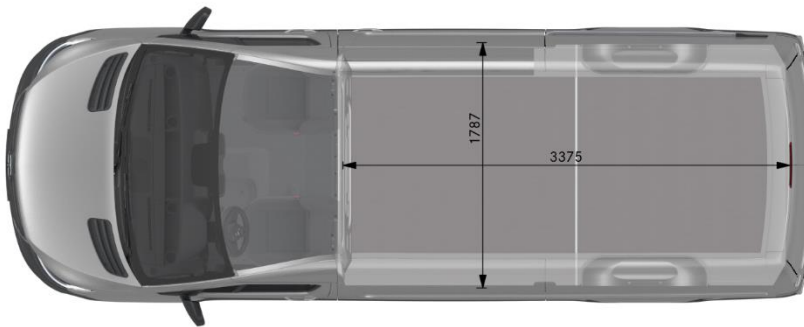
Picture front view



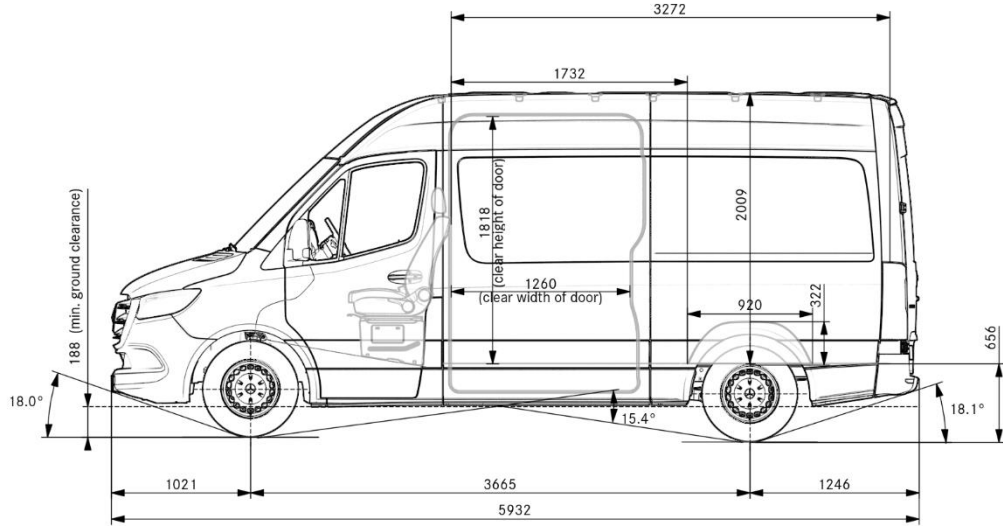
Picture back view



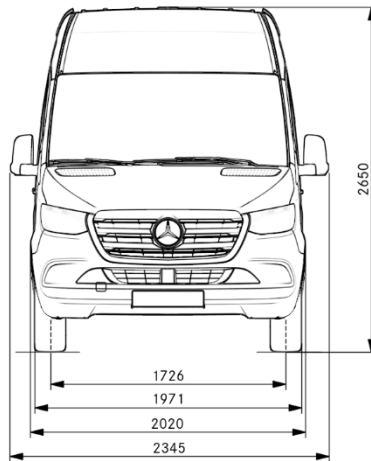
Picture top view



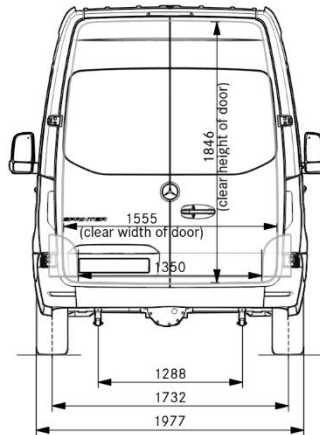
Drawing side view



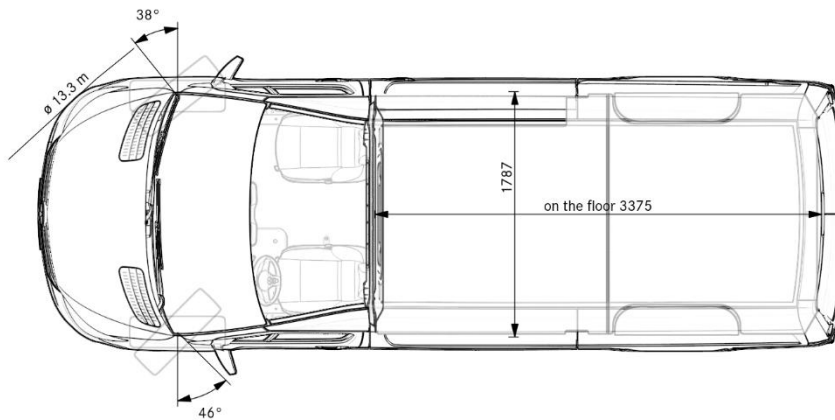
Drawing front view



Drawing back view



Drawing top view



Offer picture interior view



Offer picture front view



Offer picture back view

