

Offer

Sprinter Panel van 416 CDI long RWD



This picture can differ from your individual vehicle configuration. It is therefore not binding and might be subject to change!

Angebotsnummer: Sprinter Panel van 416 CDI long_Standard_09520

Fahrzeugtyp: Sprinter Panel van 416
CDI long

Antrieb: RWD Hinterradantrieb

Zul. Gesamtgewicht: 4100 kg

Modell: Mercedes-Benz Sprinter

Fahrzeugart:

Motorleistung: 120 kW

Radstand: 4325 mm



Equipmentlist

Paint

MB 9197	obsidian black metallic
---------	-------------------------

Equipment

Lines, packages and variants

IG4	Standard
IG5	Basic

Chassis

AR1	Axle ratio i = 3,692
CB7	Stabilisation level I
CB1	Suspension for comfort and load protection
RD9	Tyres without name of make
RH2	Tyres 235/65 R16 C
RM7	Summer tyres
RS3	Steel wheels 6.5 J x 16
R65	Spare wheel bracket below frame end
R87	Spare wheel
XL2	Weight variant 4.100 kg

Engines and transmissions

MG3	Engine OM 651 DE 22 LA 120 kW (163 hp)
MP5	Engine version Euro V
G42	7G-TRONIC PLUS
K60	Exhaust straight to chassis rear
K13	Main tank 71 litres
K56	Filler cap, diesel, in red
KL5	Fuel filter with water separator

Bodies and attachments

D03	High roof
D93	Omission partition
F61	Rear mirror inside
Q11	Longitudinal member reinforcement
L94	Omission parking lamp
LB1	Side marker lights
LB5	3rd brake light
LE1	Adaptive brake light
T12	Intermediate detent for load comp. sliding door
T16	Sliding door right
W54	Rear doors, double-wing, opening to side wall
T50	Electr. closing assist, sliding door right

T74	Handle for entrance
H21	Heat-insulating glass w.band filter on windscreen
P47	Front mud flaps

Interior equipment, heating and air-conditioning

S02	Driver's seat
S22	Armrest for driver's seat
SL1	Co-driver's seat
SA5	Airbag, front driver's seat
SA6	Airbag, co-driver
J55	Seat belt reminder for co-driver seat
FF5	Shelf above windscreen
FJ4	Stowage compartment underneath cockpit
V36	Panelling under roof
V93	Omission wooden floor
VL4	Load compartment floor w. different paint surface
HK4	High-perf. roof-mounted air conditioning system
HH4	THERMOTRONIC automatic climate control

Radio, instruments and electrics

E10	MB Audio system
ED4	heavy-duty battery
ES0	Starting aid contact
M60	Alternator 14 V / 250 A
ED5	Parameterizable special module
EK1	Terminal strip for electrical connection
J58	Seat belt warning for driver's seat
J59	Warning system for speed limit
J10	Speedometer, km/h
C6L	Multifunction steering wheel
CL1	Height and rake adjustable steering wheel
E3J	Preinstallation for switch panel
J65	Temperature indicator
JA8	Crosswind Assist
JF1	Rain sensor
JK5	Instrument cluster with colour display
JW5	Lane Keeping Assist
LA2	Headlight assistant
E07	Hill-Start Assist

Other equipment

Z18	Country version, GCC states
Z4V	Production in Düsseldorf
X01	Model plate/label, Gulf States
X53	Labels / publications, Arabic
XC8	VIN visible from outside
XQ1	VIN encoded vehicle data with check digit
Z2N	Qualification N2
Z44	Registration of vehicle not possible in EU



Mercedes-Benz

Y43 Hydraulic Jack

Y26 Chock

XY0 Model year 0

XZ0 Model generation 0

Upholstery

VF7 Fabric Maturin black

Additional scopes

BH1 HOLD function

Other facts

HI4

IH6

IL2

JI3

LX8

SK2

X99

XN9

XO8

Technical data

Dimensions and weights

Type	
Execution	
Drivetrain	RWD
Wheelbase	4325 mm

Weights	
Front axle (empty)	1355 kg
Rear axle (empty)	1126 kg
kerb weight (incl. SA)	2481 kg
Payload	1619 kg
Gross vehicle weight	4100 kg
Gross combination weight	5500 kg

Engine	
Engine	MG3
Displacement cm ³	2143
Engine output kW / HP	120 / 163
Power/engine torque in NM at 2400 rpm	360

Tyres	
1st Axle:	2x
2nd Axle:	2x

Body length	
With max. frame overhang	0 mm
Min. centre of gravity – last axle	
Max. centre of gravity – last axle	

Gearbox	
Code	G42
Short text	7G-TRONIC PLUS

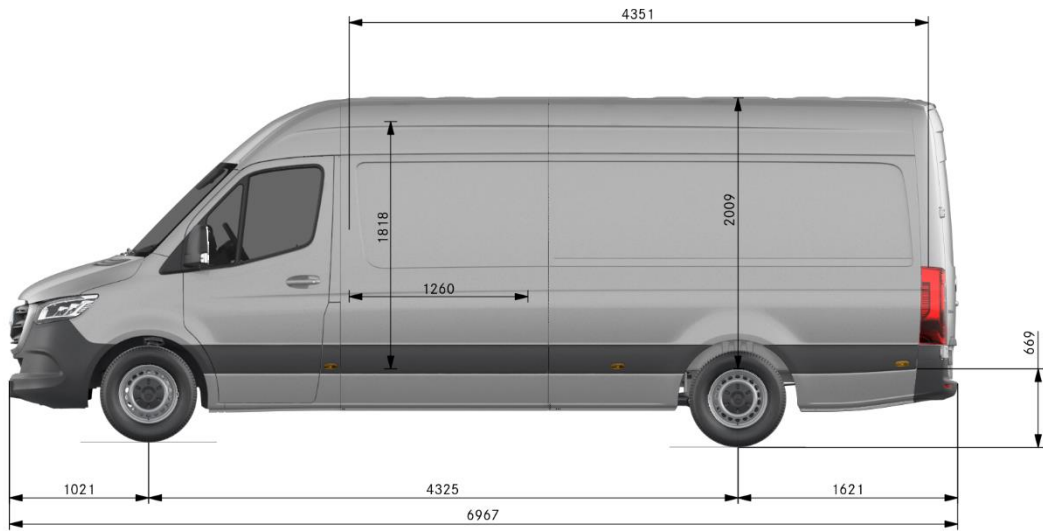
Dimensions	
Frame height – FA – laden	0 mm
Frame height – FA – unladen	0 mm
Frame height – RA – laden	0 mm
Frame height – RA – unladen	0 mm

Kerb weights with driver, Tools, Underride protection (front/rear), spare wheel, 90% of tankful

Technical Data

Technical illustration

Picture side view



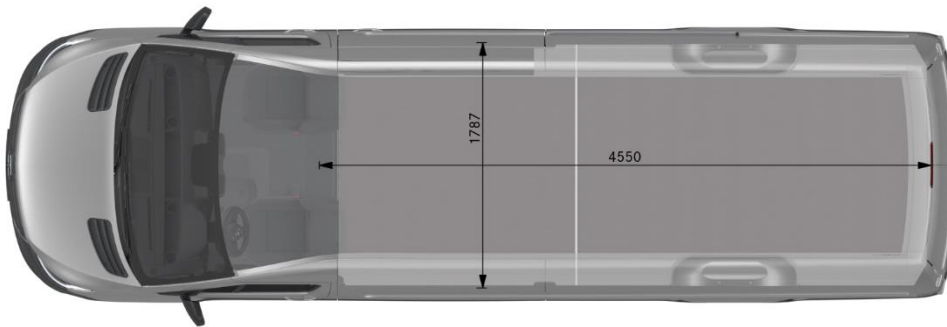
Picture front view



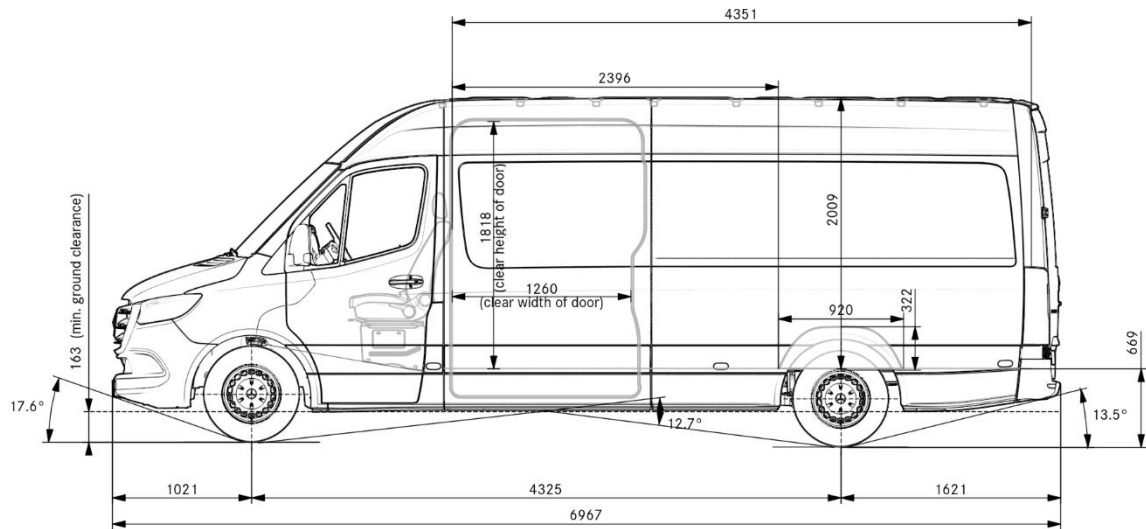
Picture back view



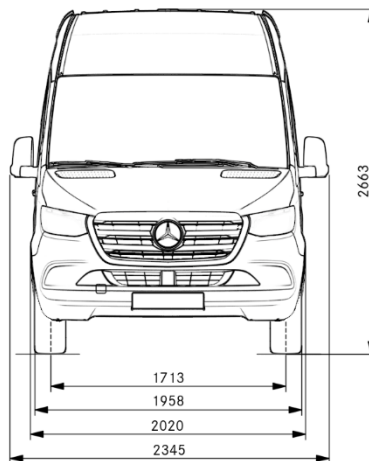
Picture top view



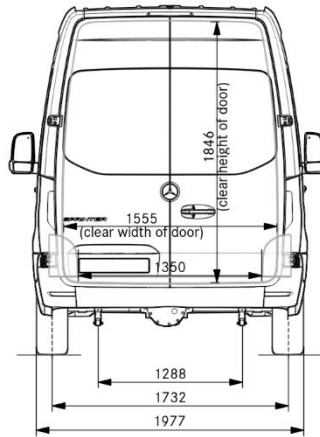
Drawing side view



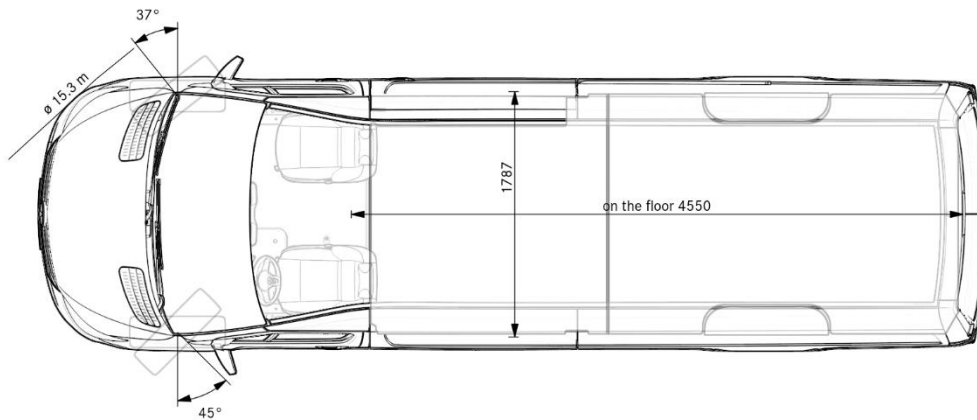
Drawing front view



Drawing back view



Drawing top view



Offer picture interior view



Offer picture front view



Offer picture back view



Offer picture top view

